




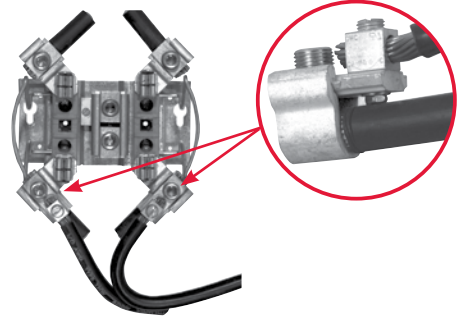
Accessories

Fifth Terminal, Tap Connectors & Block Assemblies


Fifth Terminal

		
5T8K2 - 100-200 amp "Plug-In"	K5T - 200 amp (Block with Square Hole)	K3865 - Heavy Duty Jaw Clamping (K3866 without Neutral Wire)


Tap Connectors (3 per set)

	Replaces the load or line side slide-in nut assembly on Milbank 200 amp sockets. Allows for a 100 amp tap location in addition to the #6-350 kcmil load-side connector. K5022 includes safety barrier extensions for applications over 300 VAC. Three lugs per kit.
K4977-INT - Internal Hex	
K4977-EXT - External Hex	
K5022-INT - Internal Hex (set of 4 w/ barrier)	


Triplex Ground


K1190 (For factory installed triplex ground, add suffix -TG to catalog number)

100 amp Blocks *(single sockets only)*


BL7474 - Block Assembly
BL7499 - Horn Bypass Block Assembly
Z904486-AO - Nut Assembly
Z90327486-AO - Horn Bypass Nut Assembly
Z802965-AC - Neutral without Nut
Z901925-AC - Hex Nut Set Screw

200 amp Blocks *(single sockets only)*


K4527 - Internal Hex Block Assembly (w/ meter support)
K4528 - External Hex Block Assembly (w/ meter support)
K4529 - Internal Hex Horn Bypass Block Assembly (w/ meter support)
K4530 - External Hex Horn Bypass Block Assembly (w/ meter support)
Z916265-AO - Internal Nut Assembly
Z916264-AO - External Nut Assembly
Z814898-AC - Neutral without Nut

Utility requirements for this equipment may vary. Always consult the serving utility for their requirements prior to ordering or installing this equipment. This product must be installed by a licensed electrician. Installation of this equipment may require local electrical inspector approval.

