

GEPVp-200 200 WATT PHOTOVOLTAIC MODULE

FEATURES

- 54 poly-crystalline cells connected in series
- Peak power of 200 watts at 26.3 volts
- Designed for optimum use in residential and commercial grid-tied applications
- 25-year limited warranty on power output, 5-year limited warranty on materials and workmanship*
- Pre-wired junction box with MC Connectors

BENEFITS

- Output power tolerance of +/- 5%
- Robust, clear anodized aluminum frame with pre-drilled holes for quick installation

CERTIFICATIONS

The GEPVp-200 Module meets the following requirements:



UL-1703



IEC-61215 Version 1.0

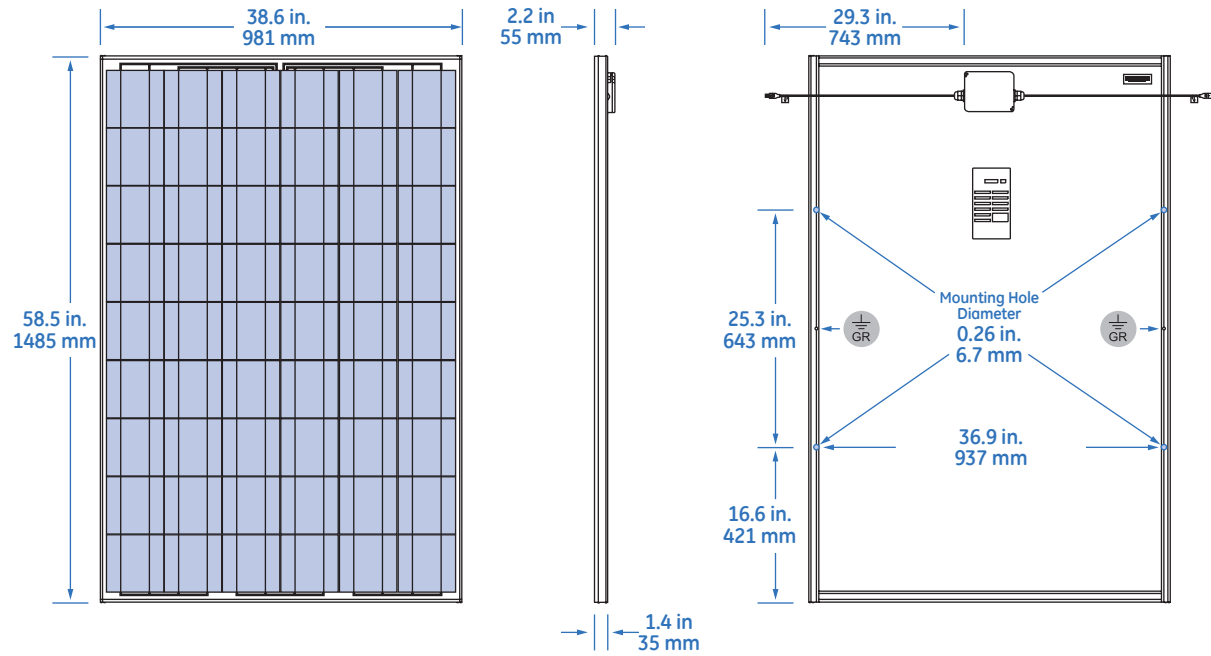


*Refer to GE Energy Product Warranty for specific details



imagination at work

PHYSICAL CHARACTERISTICS

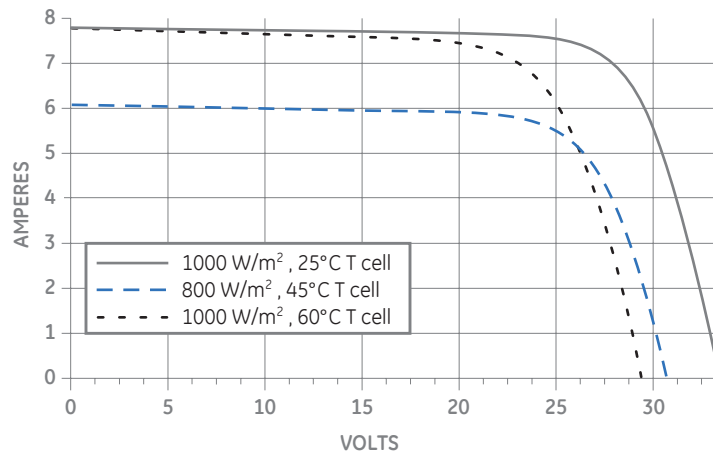


Physical Design Properties

Weight	39.0 lb [17.7 kg]
Weight (Wind) Bearing Potential	50 lbs/ft ² [125 mph equivalent]
Hailstone Impact Resistance	1" @ 50 mph [25 mm @ 80 kph]

ELECTRICAL PERFORMANCE

Typical IV Curve for GEPVp-200-M Module



Typical Performance Characteristics

Peak Power (Wp)	Watts	200
Max. Power Voltage (Vmp)	Volts	26.3
Max. Power Current (Imp)	Amps	7.6
Open Circuit Voltage (Voc)	Volts	32.9
Short Circuit Current (Isc)	Amps	8.1
Short Circuit Temp. Coefficient	mA/°C	5.6
Open Circuit Voltage Coefficient	V/°C	-0.12
Max. Power Temp. Coefficient	%/°C	-0.5
Max. Series Fuse	Amps	15
Normal Operating Cell Temperature [NOCT]	deg. C	45

IV parameters are rated at Standard Test Conditions (Irradiance of 1000 W/m², AM 1.5G, cell temperature 25°C). As with all poly-crystalline PV Modules, during the stabilization process that occurs during the first few days in service, module power may decrease approximately 3% from typical maximum power due to a phenomenon known as Light Induced Degradation (LID). All measurements are guaranteed at the laminate leads. NOCT is measured at 800 W/m², 20 deg. C ambient, and 1 m/s windspeed.



GE Energy
231 Lake Drive
Newark, DE 19702
866-750-3150

gepower.com/solar