



Lightning-Fast Deployment

- Industry-leading installation time
- Top-down assembly of PV modules
- Integrated fasteners allowing one common bolt for all joints
- Integrated panel grounding
- Only 4 part numbers to order

Maximize Your Project Dollars

- Fits all major solar modules available today
- Available in a variety of panel configurations

Engineered to Last

- The ONLY stainless steel roof ballast system available
- Wind Tunnel tested to 120mph
- ETL Listed to UL2703
- 15-year limited warranty

Superior Customer Service

- Engineering support from conception to completion
- Full layout and loading analysis for every project
- Online and onsite installation training available



Fits All Modules



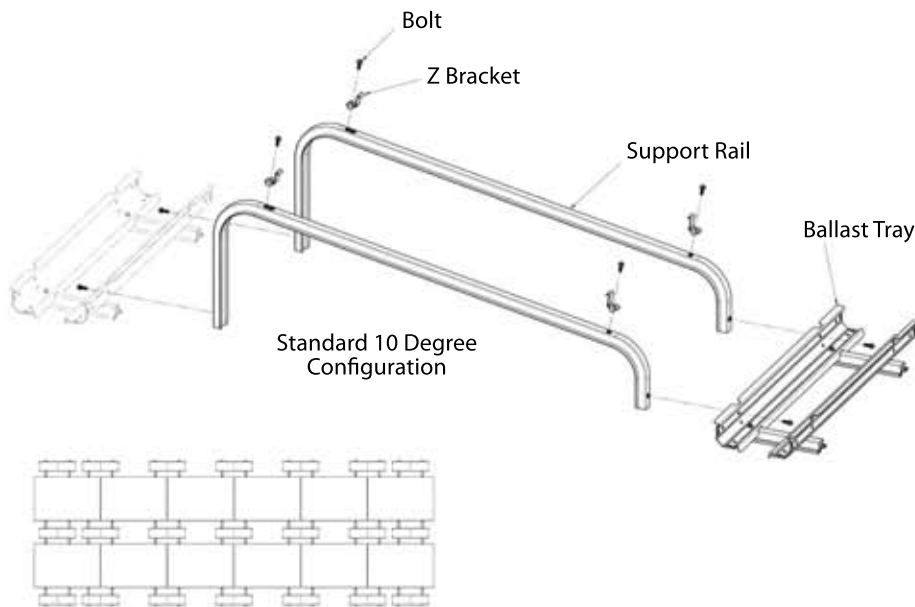
*One Common Bolt
for All Joints*



*Panel Clamps
with Integrated
Grounding*

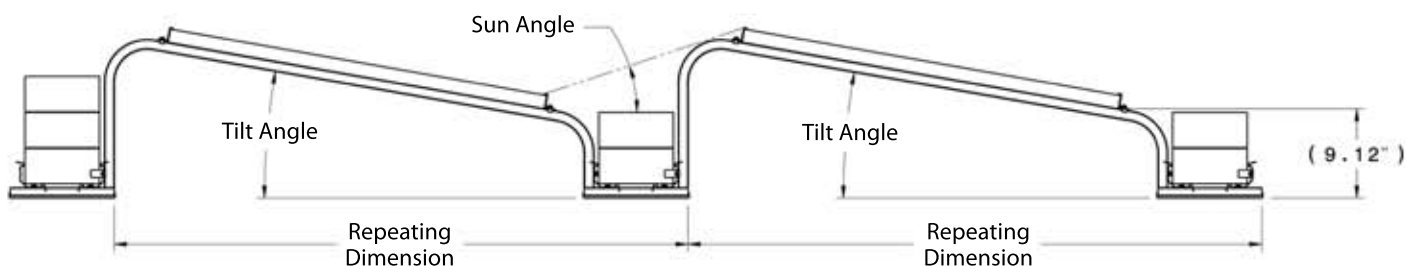


**Easy to install. Built to last.
With you all the way.**



Specifications

- Spacing: Adjustable down to 47.07"
- Panel tilt: 0-30 degrees
- Panel type: Standard Frame or Frameless
- Module layout: Standard landscape configuration, custom portrait option available
- Module height from roof: 9.12" minimum
- Contact surface: EPDM
- Grounding: Integrated into clamp



Parts List

- Flat Roof
- Customizable
- PE Approved
- No Penetration
- Wind Tested
- Fast Construction
- Seismic Considerations
- No Special Tools
- Made in USA
- Ready to Ship

Part Name	Part Number	Tilt Angle	Repeating Dimension			Sun Angle		
			Standard	Narrow	Wide	Standard	Narrow	Wide
Standard Parts								
Support Rail	80295 - xxx	0 degree	Mod. Specific	n/a	n/a	0	0	0
Support Rail (fixed)	80224 - xxx	5 degree	59.1	47.55	n/a	9.6	21.4	n/a
Support Rail (multi-panel)	80458	5 degree	59.1	47.55	n/a	9.6	21.4	n/a
Support Rail (fixed)	80001 - xxx	10 degree	58.65	47.07	66.62	18.5	59.1	13.65
Support Rail (multi-panel)	80263	10 degree	58.65	47.07	66.62	18.5	59.1	13.65
Support Rail (fixed)	80269 - xxx	10 degree	n/a	55.5	n/a	n/a	22.8	n/a
Support Rail (multi-panel)	80460	10 degree	n/a	55.5	n/a	n/a	22.8	n/a
Support Rail (fixed)	80171 - xxx	15 degree	61	n/a	69	25.5	n/a	18.4
Support Rail (multi-panel)	80271	15 degree	61	n/a	69	25.5	n/a	18.4
Support Rail (fixed)	80177 - xxx	20 degree	n/a	n/a	75.67	n/a	n/a	20
Support Rail (multi-panel)	80273	20 degree	n/a	n/a	75.67	n/a	n/a	20
Support Rail (fixed)	80254 - xxx	25 degree	n/a	n/a	64.06	n/a	n/a	34.8
Support Rail (fixed)	80183 - xxx	30 degree	90.99	n/a	90.99	20	n/a	20
Support Rail (multi-panel)	80368	30 degree	90.99	n/a	90.99	20	n/a	20
Ballast Tray - Standard	80009							
Ballast Tray - Narrow	80238							
Ballast Tray - Wide	80188							
Z-Bracket	80454 - xx							
Bolt	80013							
Construction Tools								
Sizing Tool	80034	For panels 970mm - 1742mm						
Sizing Tool (large panels)	80168	For panels 1743mm - 2603mm						
Accessories								
Kit - Seismic Clip	80129	For use in high seismic areas						
Hard Mount Bracket	80133	Used in conjunction with roof anchor or flashing						
Pad - Ballast Tray	80246							
Kit - Microinverter Bracket	80612	1 per Enphase M215, 2 per M190/210, D380						
Wire Mgt - Edge Clip	80497							
Kit - Tray Connector	80610							

