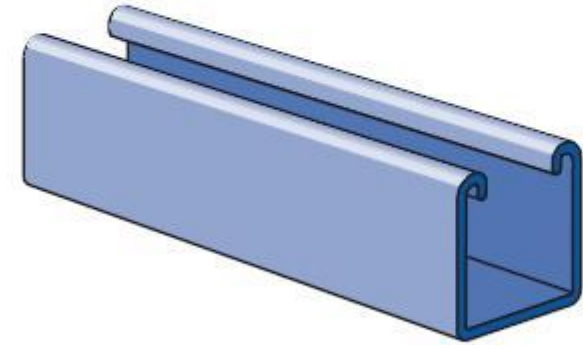
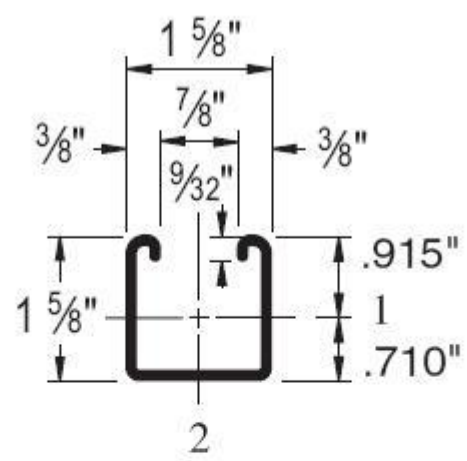
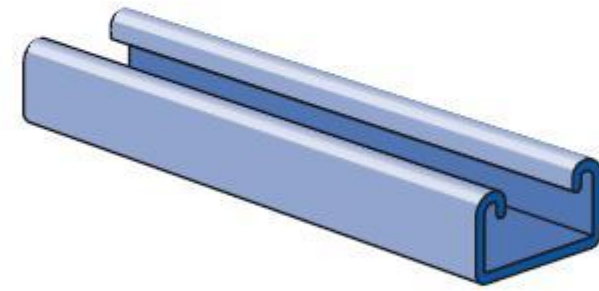
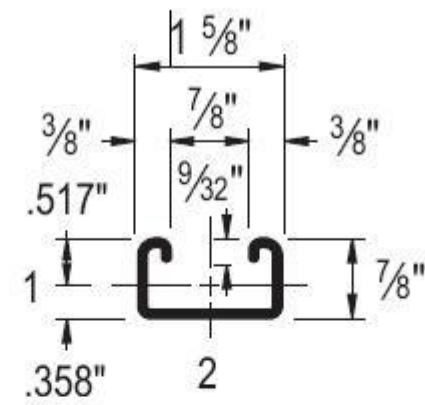


P1000®



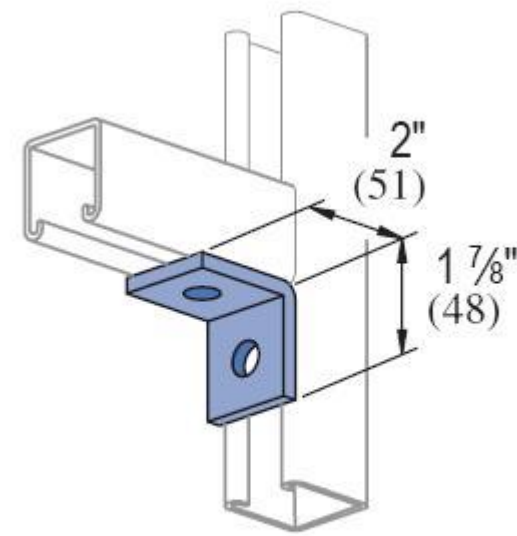
Wt/100 Ft: 189 Lbs (281 kg/100 m)
 Allowable Moment 5,070 In-Lbs (570 N•m)
 12 Gauge Nominal Thickness .105" (2.7mm)

P3300



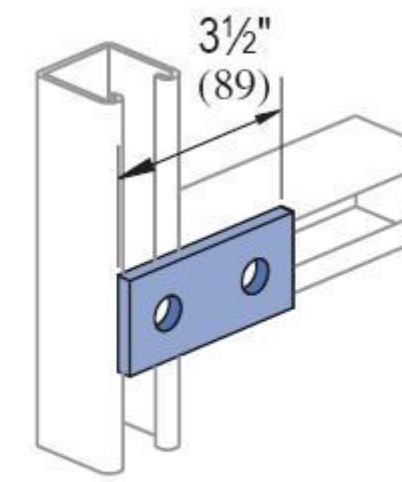
Wt/100 Ft: 134 Lbs (200 kg/100 m)
 Allowable Moment 1,800 In-Lbs (200 N•m)
 12 Gauge Nominal Thickness .105" (2.7mm)

P1026



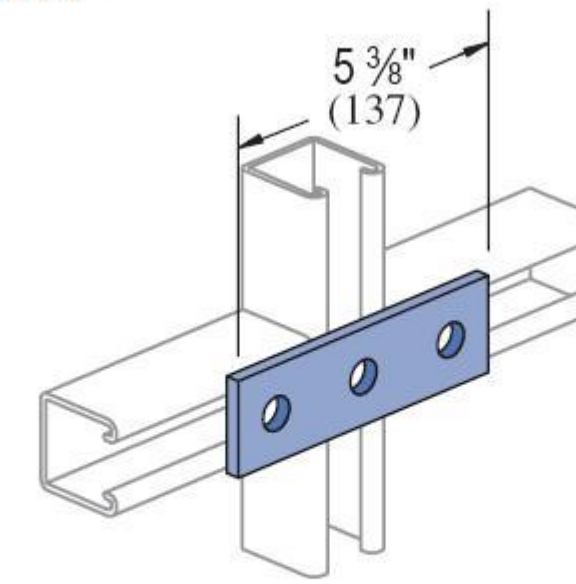
Wt/100 pcs: 38 Lbs (17.2 kg)

P1065



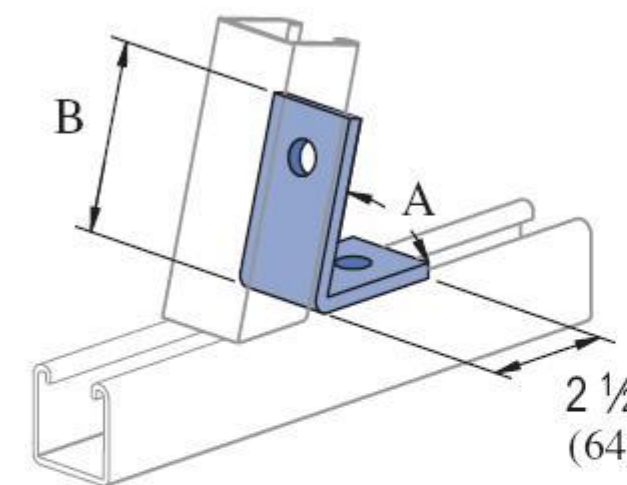
Wt/100 pcs: 38 Lbs (17.2 kg)

P1066



Wt/100 pcs: 56 Lbs (25.4 kg)

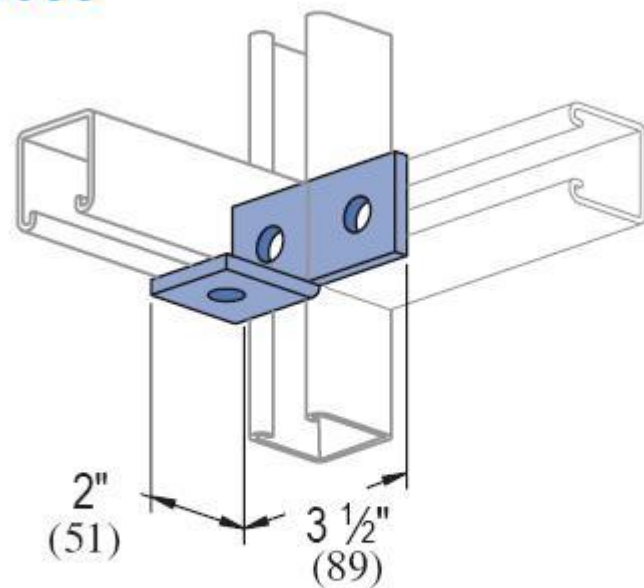
P2109, P2110



Wt/100 pcs: 58 Lbs (26.3 kg)

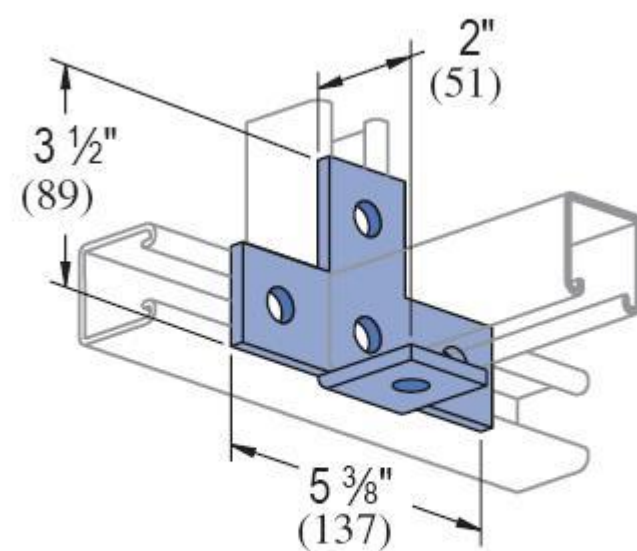
Part Number	"A" Degree (rad)	"B" In (mm)
P2105	82 1/2° 1.44	3 3/16 81
P2106	75° 1.31	3 3/16 81
P2107	67 1/2° 1.18	3/8 79
P2108	60° 1.05	3 1/8 79
P2109	52 1/2° 0.92	3 1/16 78
P1186	45° 0.79	3/8 79
P2110	37 1/2° 0.65	3 76

P1038



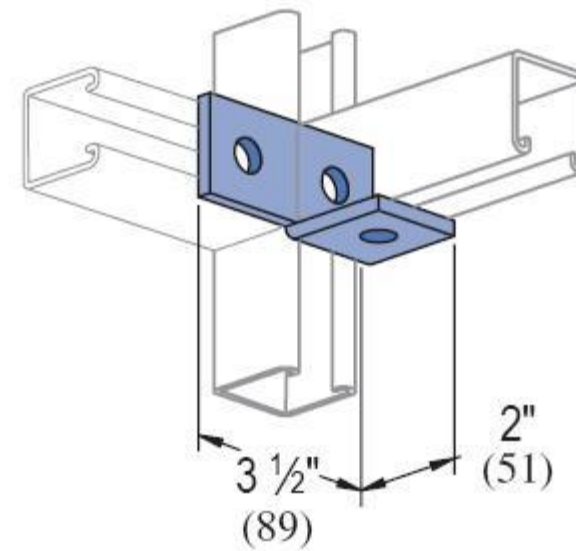
Wt/100 pcs: 58 Lbs (26.3 kg)

P1029



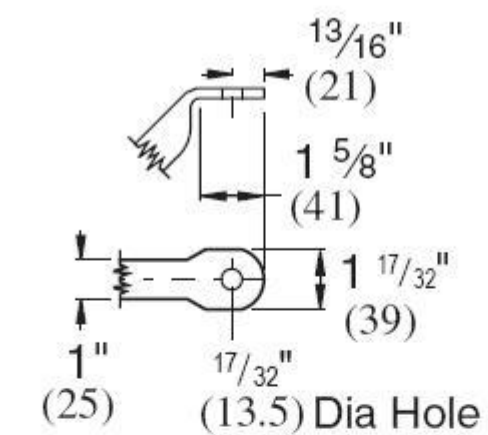
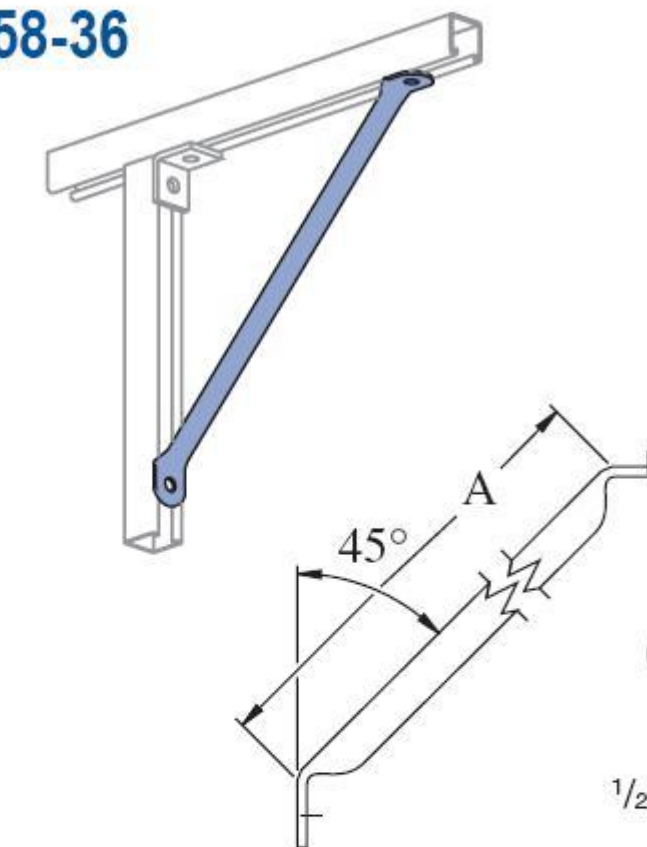
Wt/100 pcs: 105 Lbs (47.6 kg)

P1037



Wt/100 pcs: 58 Lbs (26.3 kg)

P2458-36



Part Number	"A" In (mm)	Wt/100 pcs Lbs (kg)
P2458-36	36 914	267 121.1

